

# HASP

## Height-adjustable Cable Spine



ABL's height-adjustable cable spines have been developed to work with sit/stand desks.

Its flexible design keeps all your cables and wires organized and free from damage and knots.

HASP sit/stand cable spine is available in three colours (black, white and silver) and provides an organized, neat finish to any office.



AVAILABLE COLOURS:



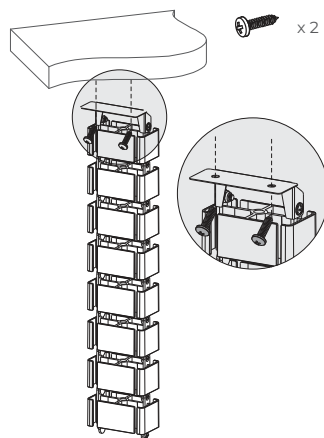
### USP

- PREMIUM CATEGORY CABLE MANAGEMENT
- CABLE ORGANISER & HIDER: KEEP CABLES CONCEALED AND PROTECT CABLES FROM THE WEAR AND TEAR
- MODULAR VERTEBRAE STRUCTURE: ALLOWS USERS TO ADD OR SUBTRACT INDIVIDUAL VERTEBRAE AS REQUIRED
- QUAD ENTRYWAY DESIGN: ENABLES CABLE SEPARATION
- WEIGHTED BASE WITH STEEL BLOCK OFFERS EXTRA STABILITY
- EASY SETUP: TOOL-FREE ASSEMBLY IN MINUTES, NO EXPERT INSTALLATION REQUIRED
- 30 SEGMENTS, ALLOWING FOR A MAXIMUM LENGTH OF 1285 MM

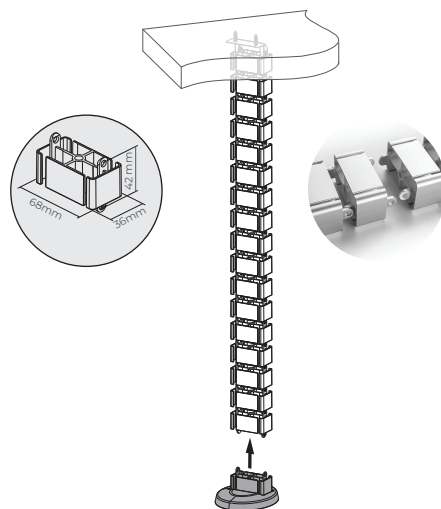


## INSTALLATION

**STEP 1.** Attach the brackets using the provided screws

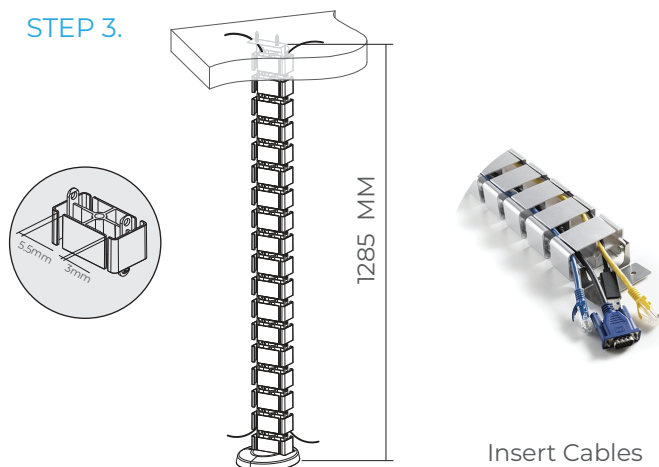


**STEP 2.** Add or subtract vertebrae



Attach the weight base

**STEP 3.**



Insert Cables

## TECHNICAL

Product Category:	Cable Management Spine
Rank:	Standard
Material:	Plastic, Steel
Colour:	Black, White or Gloss Grey
Maximum height:	1290 mm
Number of segments:	30
Segment size:	67mm x 35mm
Base diameter:	130 mm