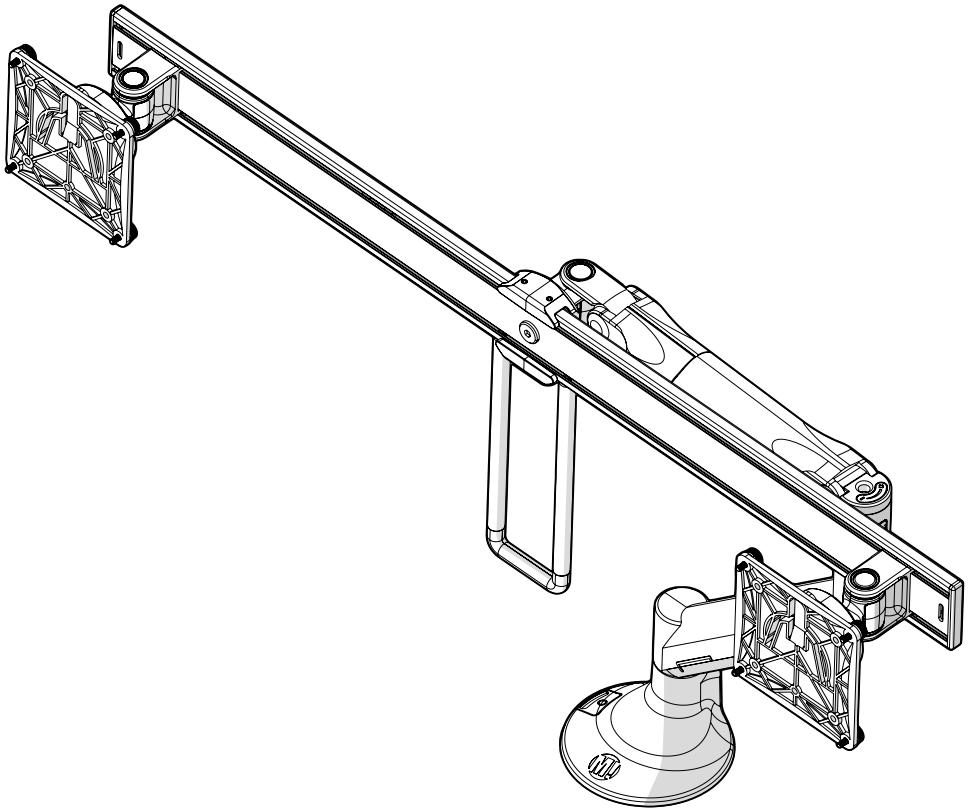


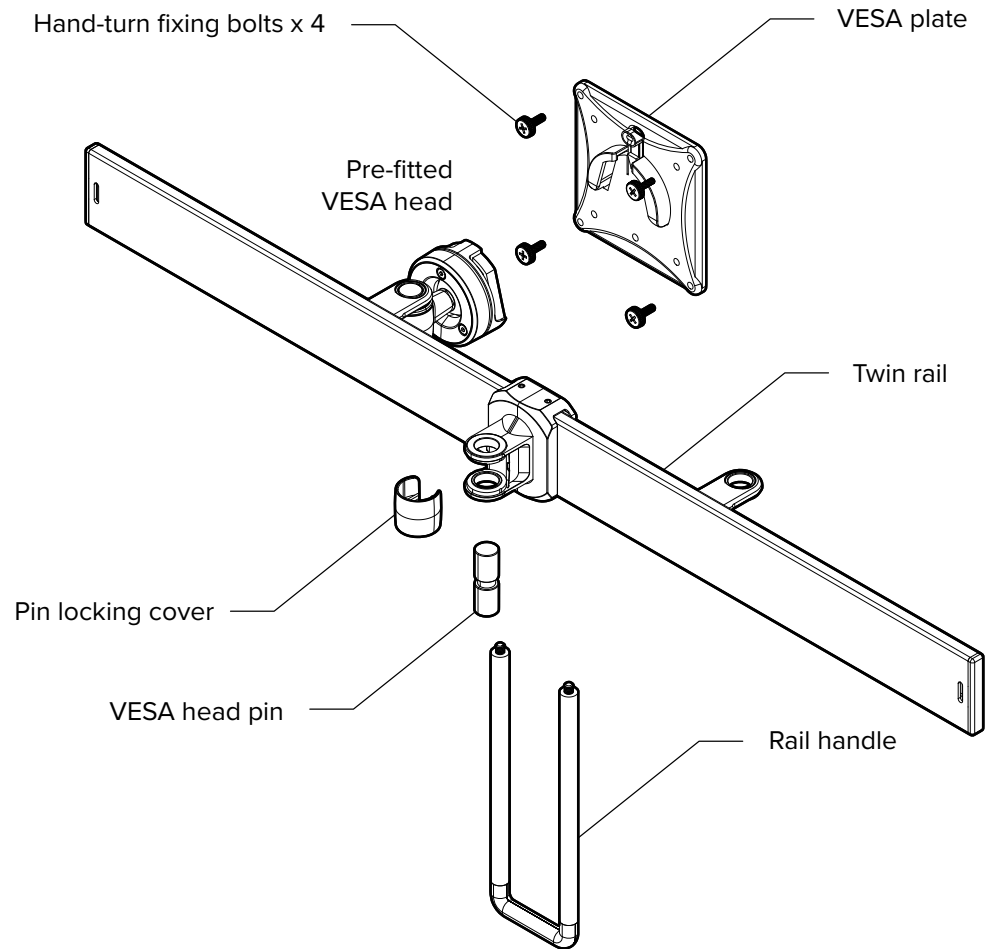
Levo

Twin Rail

ASSEMBLY & ADJUSTMENT INSTRUCTIONS



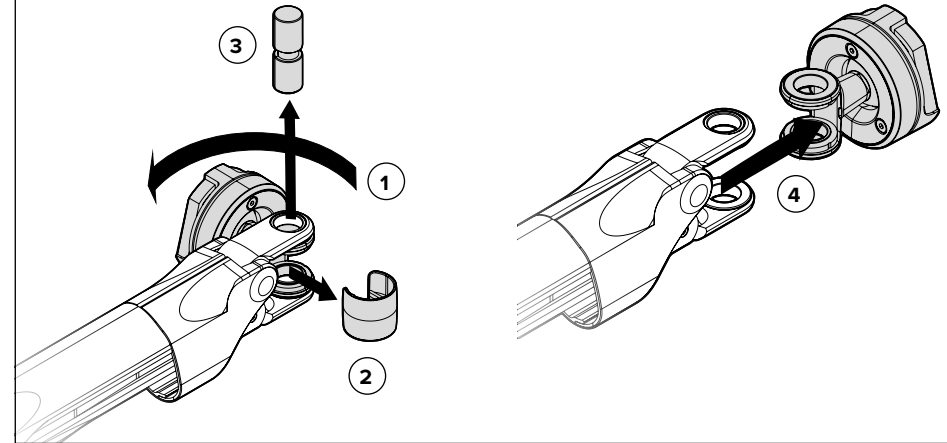
IN THE BOX



1 If converting single to twin/dual, remove VESA head from existing arm.

Rotate the head through 90° to allow you to pull the locking cover out. Next push the VESA head pin up and out of the joint.

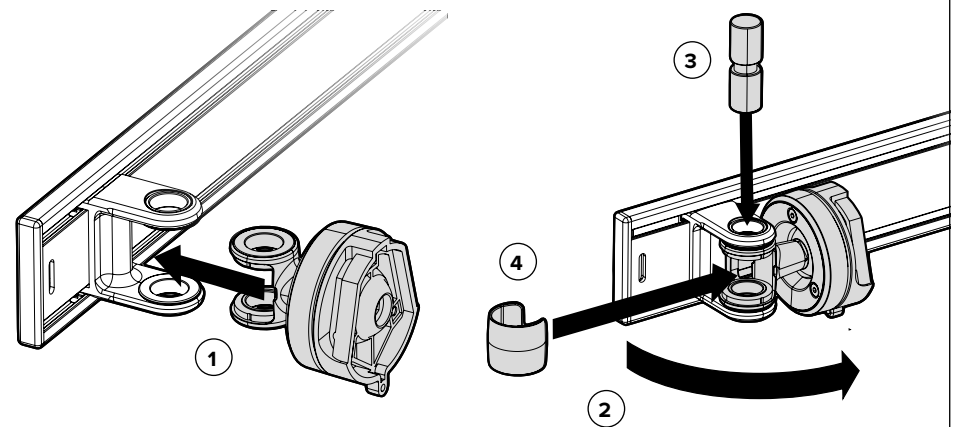
Now pull the VESA head out of the monitor arm joint.



2

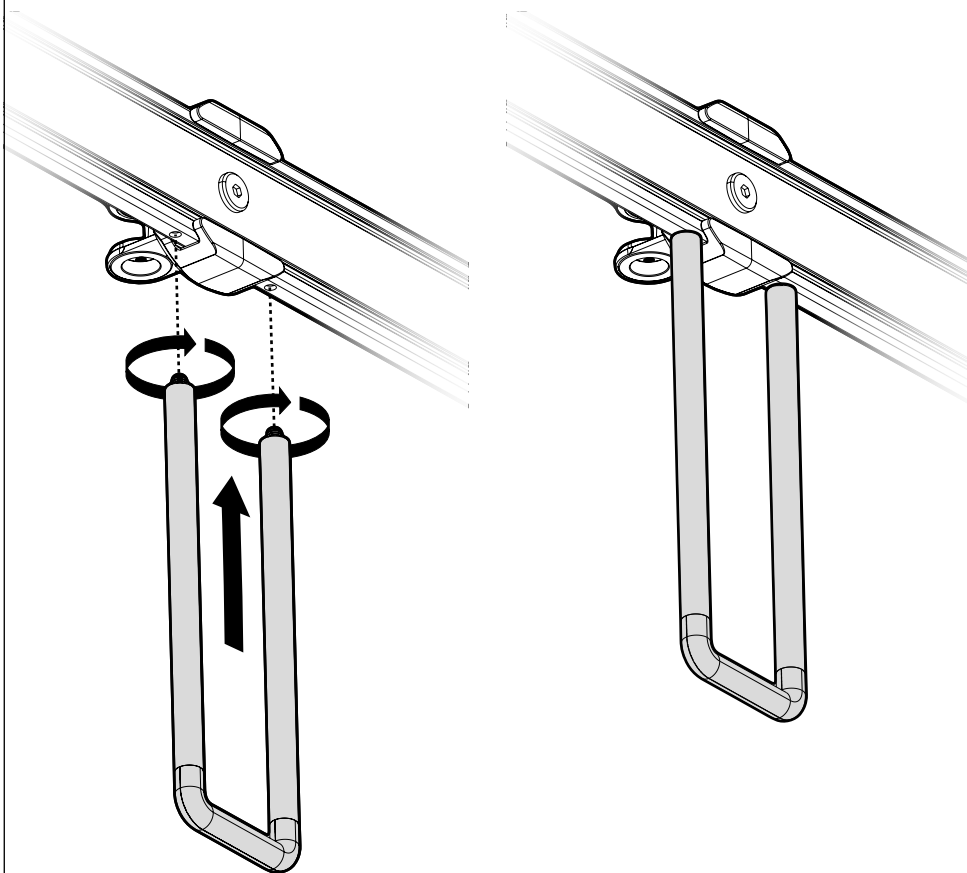
Take the VESA head from the single arm box. Now push the joint inside the empty twin rail joint and align the holes.

Next push the VESA head pin down through the holes. Now rotate the head through 90° to allow you to push the locking cover into place.



3

To attach the rail handle twist both uprights clockwise at the same time.

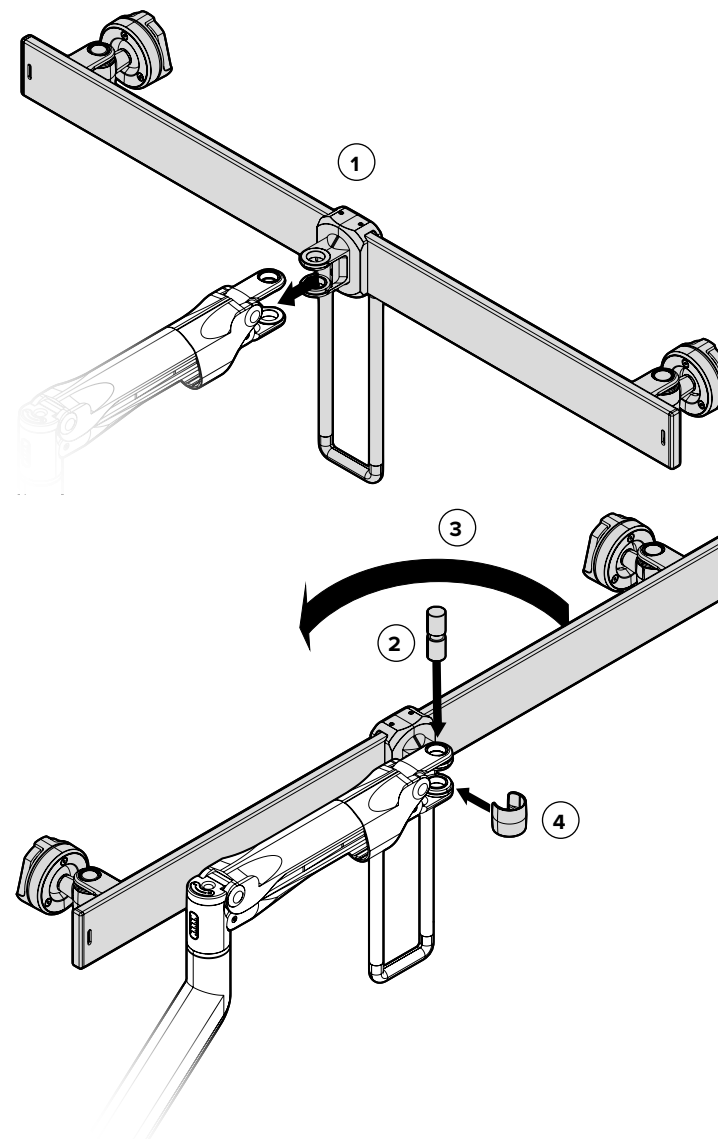


The rail handle is optional but provides easy adjustment of the twin rail position when both monitors are mounted.

4

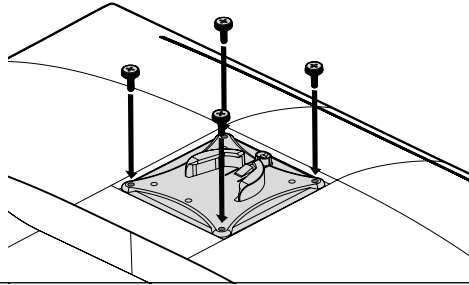
Now push the centre twin rail joint inside the empty arm joint and align the holes.

Next push the VESA head pin down through the holes. Now rotate the rail through 90° to allow you to push the locking cover into place.



5

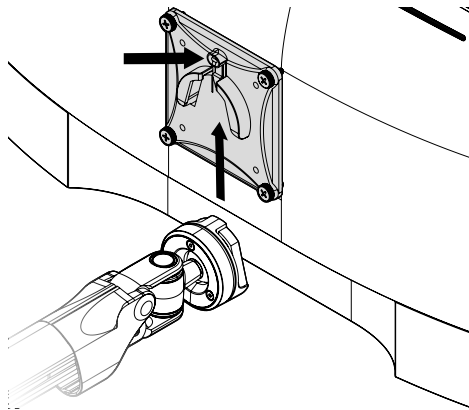
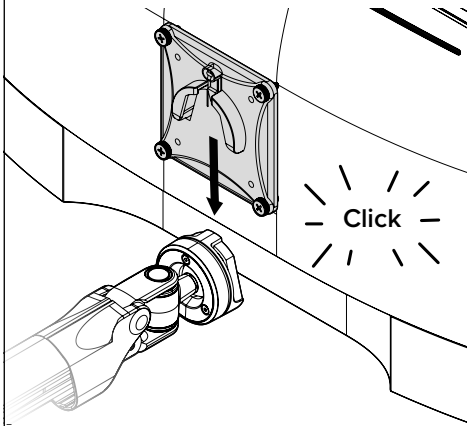
Fix a VESA plate to the back of each monitor using 4 hand-turn fixing bolts. The plate is compatible with 75mm and 100mm VESA configurations.



6

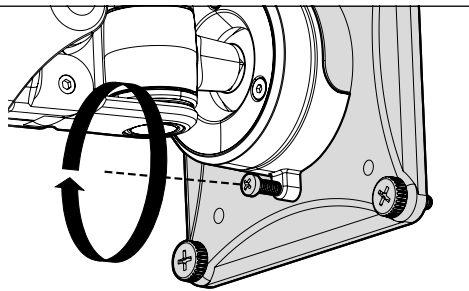
Holding each monitor, slide the VESA plate down onto the VESA head until you hear it click into place.

To remove the monitor, press and hold the release button on the VESA plate and slide the monitor upwards.



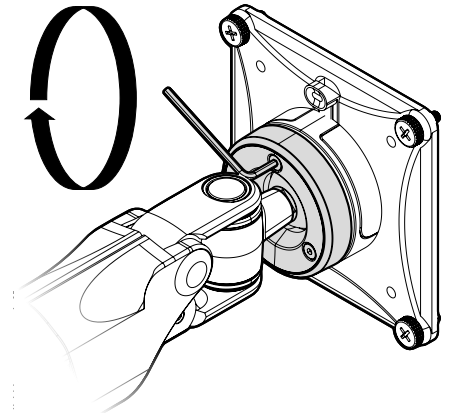
7 Security (optional)

To secure the VESA plate to the VESA head (to avoid monitors being removed quickly) fully tighten the small security screw on the bottom of the VESA head (screwdriver required).



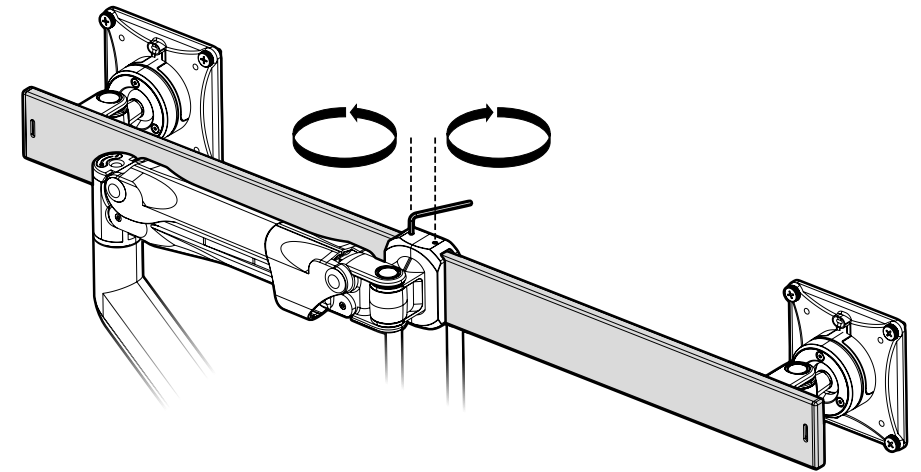
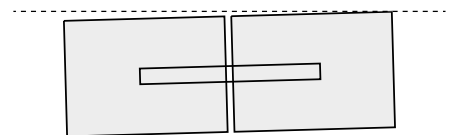
VESA head tension adjustment

If the monitor is drooping or can't be tilted easily, you can adjust the tension of the VESA head. Use the small hex key (from the base of the monitor arm) to tighten or loosen the 3 bolts on the back.



Rail level adjustment

For fine adjustment of the twin rail (to keep it perfectly horizontal) tighten / loosen the right / left bolts on the top centre of the twin rail with the small hex key (from the base of the monitor arm).



Find these instructions plus video guides online:
metalicon.com/install/levo



+44 (0)1502 533 444
support@metalicon.com
metalicon.com