

STRELA

Flat Screen monitor arm



ABL's Strela combines value and versatility into a single product solution. The aluminium arm creates a stylish and elegant look adding to any home or office décor. The flexible arm joint and rotating/tilting VESA plate allow the user to adjust the height and angle of monitors, offering the optimum viewing experience.

Strela is ideal for virtually any application due to its' ability to easily rotate between portrait and landscape orientation.

AVAILABLE OPTIONS



AVAILABLE COLOURS



USP

- 360° ROTARY VESA PLATE: FOR BETTER VIEWING EXPERIENCE
- FREE-TILTING DESIGN: FOR MULTIPLE MONITOR VIEWING ANGLES
- BUILT-IN CABLE MANAGEMENT: FOR AN ORGANISED AND NEAT WORKSPACE
- ALUMINIUM CONSTRUCTION: PROVIDES A SLEEK, LIGHTER, AND ELEGANT LOOK
- QUICK-RELEASE VESA PLATE: FOR EASY INSTALLATION
- KEYHOLE PATTERN: ALLOWS EASY INSTALLATION
- SWIVELING ARM(S): OFFER(S) MAXIMUM VIEWING FLEXIBILITY



17"-32"(24") 75x75 & 100x100 +180° ~-180° +30° ~-30° +90° ~-90° 8kg YES YES

STRELA

Flat Screen monitor arm



PRODUCT SPECIFICATION

Product Category:	Articulating Monitor Arm
Rank:	Budget
Material:	Aluminium, Steel
Surface Finish:	Powder Coated
Colour:	Matt Black, Matt White and SilverBox
Weight capacity (per screen):	0-8kg
Arm Full Extension:	386 mm
Box dimensions:	Single: 117x510x498mm Double: 886x124x498mm
Fit screen size:	27"
Fit curved monitor	



Installation: Clamp



STRELA1BL
STRELA2BL

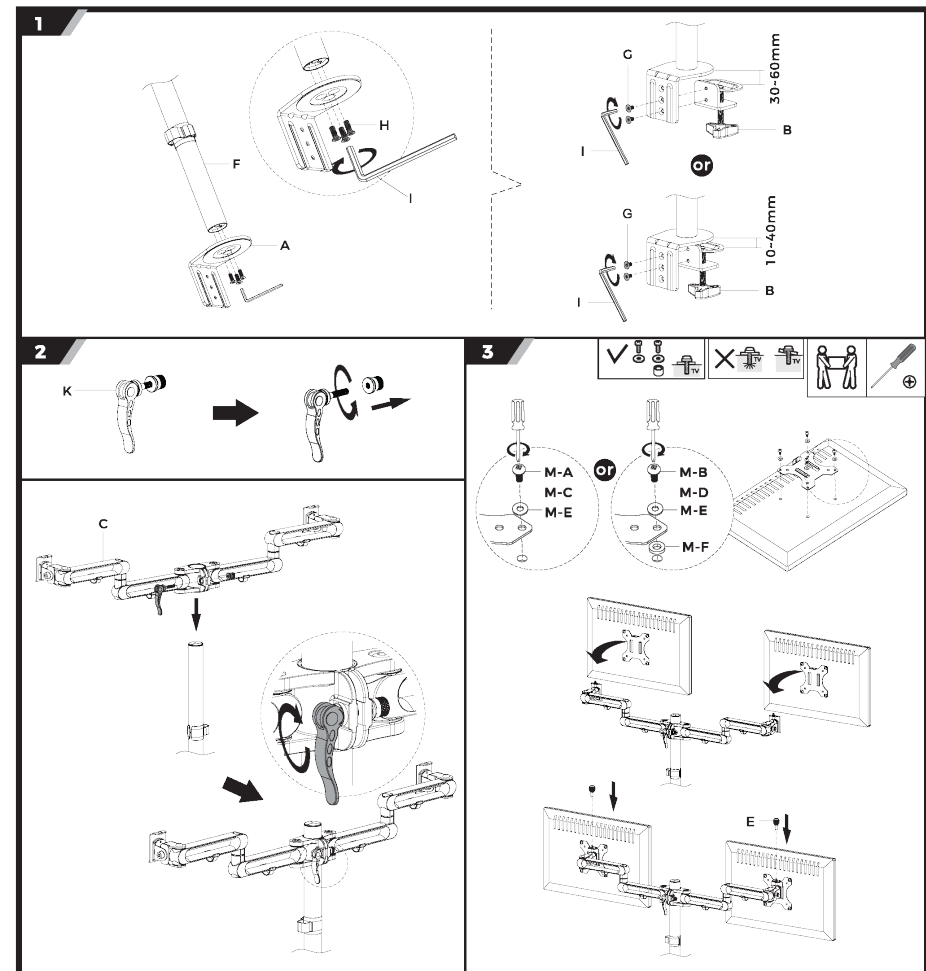
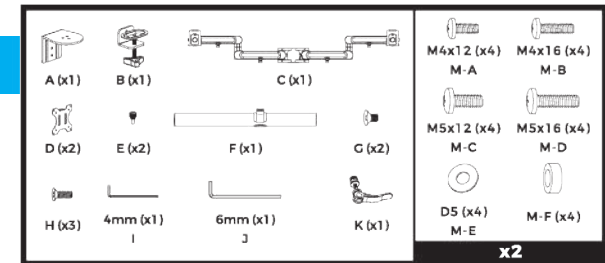


STRELA1WH
STRELA2WH



STRELA1SR
STRELA2SR

INSTALLATION

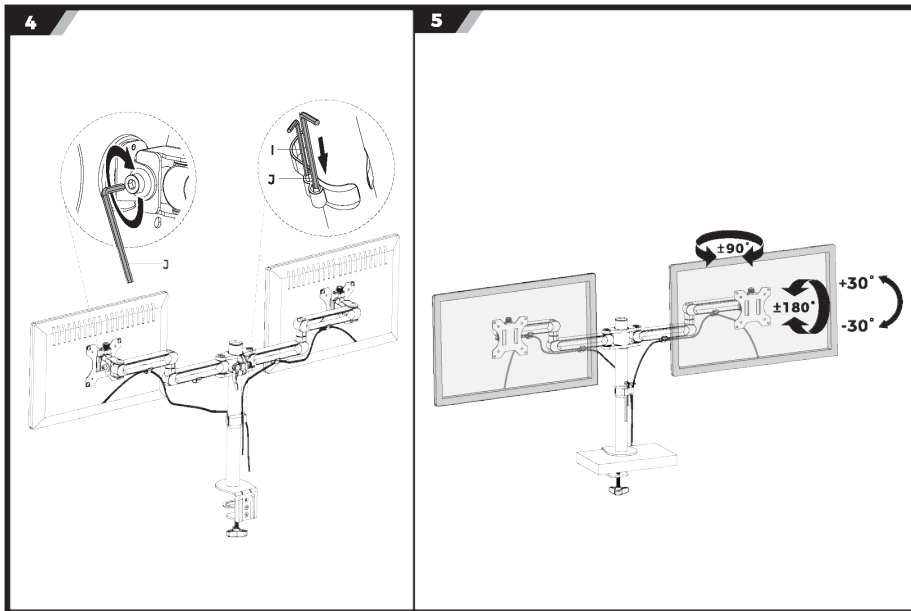


STRELA

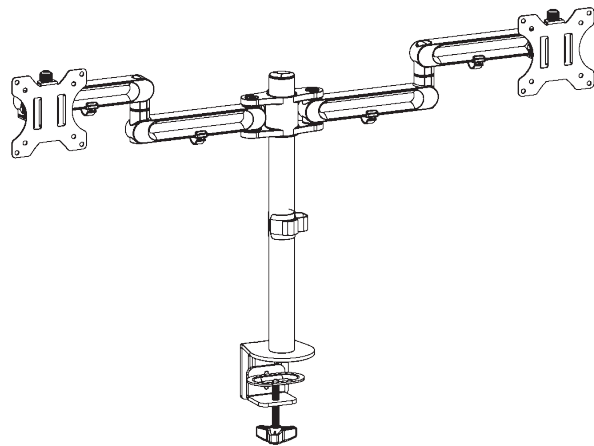
Flat Screen monitor arm



INSTALLATION



Suggested desktop thickness: 5-60mm



DIMENSIONS

